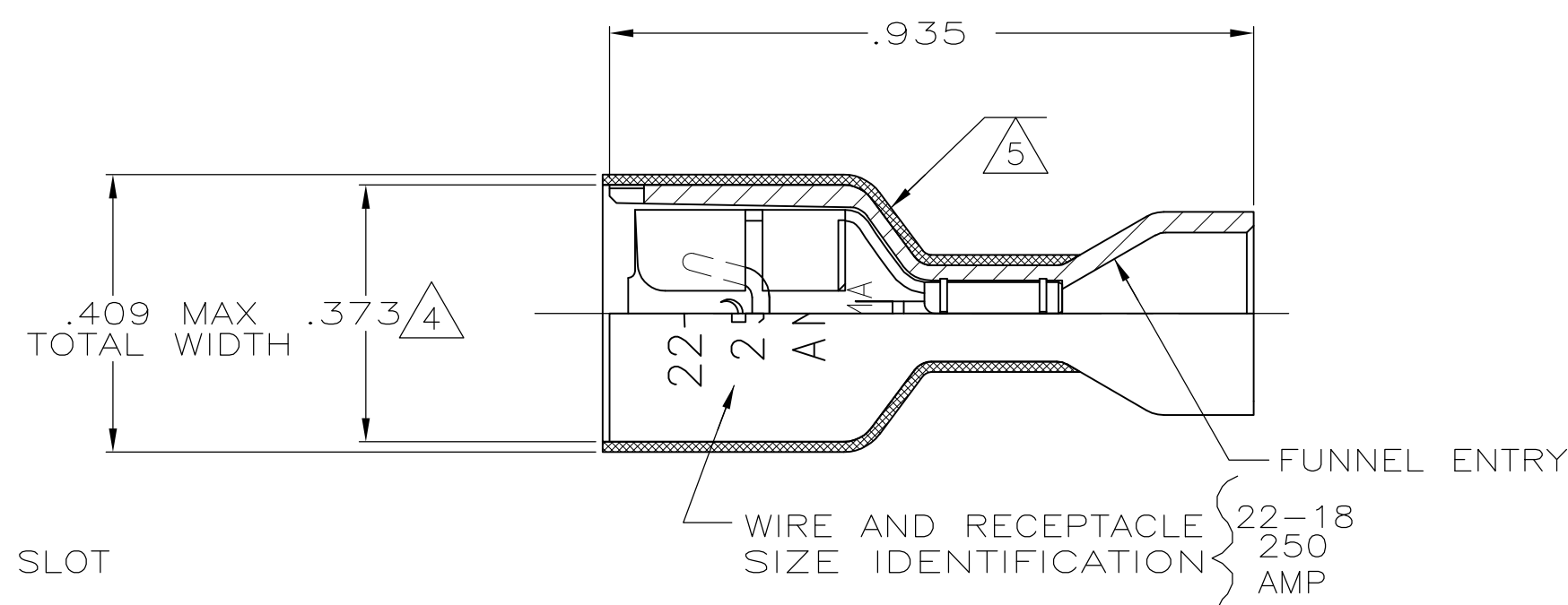
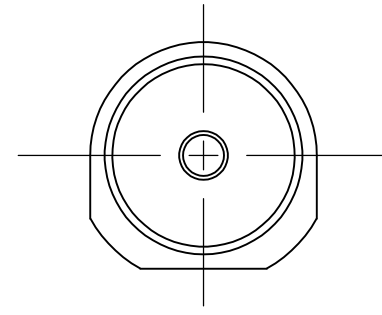
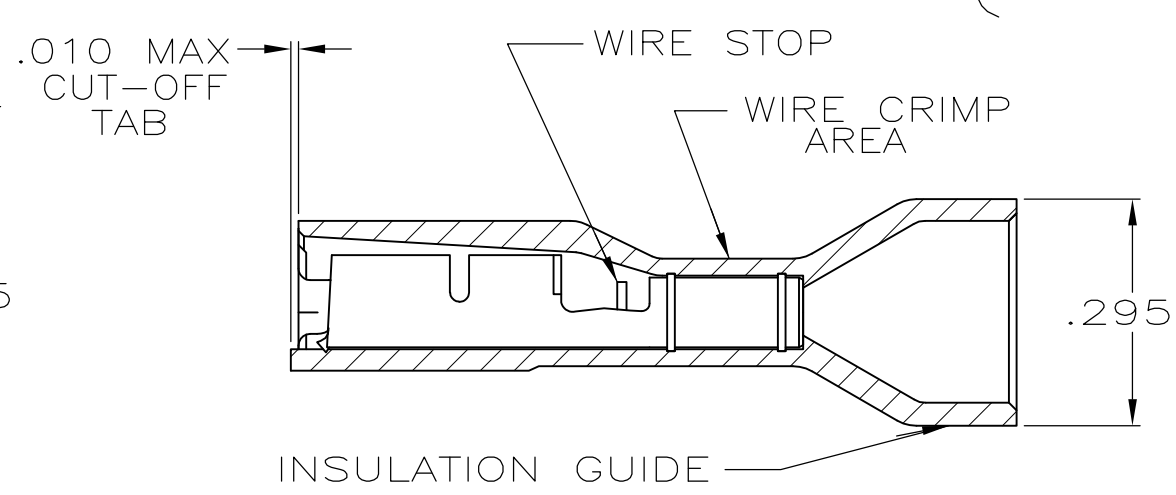
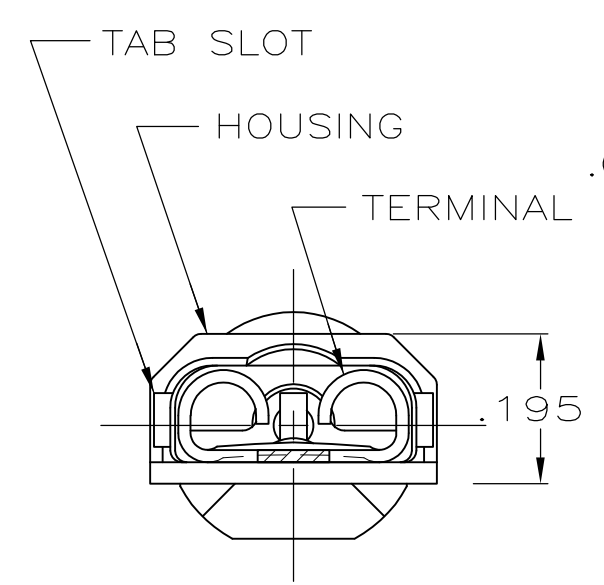


THIS DRAWING IS UNPUBLISHED. RELEASED FOR PUBLICATION  
 © COPYRIGHT - By - ALL RIGHTS RESERVED.

LOC	DIST	REVISIONS			
P	LTR	DESCRIPTION	DATE	DWN	APVD
AF	50	N	REVISED PER ECR-13-004343	30JUL13	KH KR



- 1 MATES WITH .032±.001x.250 TAB
- 2 WIRE STRIP LENGTH .281
- 3 INSULATION SIZE .230 MAX DIA
- 4 DIMENSION DOES NOT INCLUDE TRIM BURR
- 5 .015 MAX CARRIER TRIM BURR PER SIDE IS ALLOWABLE IN THE SHADED AREA



OBSOLETE	HOUSING: NYLON, COLOR-RED TRANSLUCENT RECEPTACLE: #3 HARD PH BRONZE, TIN	2-520264-4
	HOUSING: NYLON, COLOR-RED TRANSLUCENT RECEPTACLE: BRASS, TIN	2-520264-2
MATERIAL & FINISH		PART NO

THIS DRAWING IS A CONTROLLED DOCUMENT.		DWN P FORTNEY 9/30/88	<b>STE</b> TE Connectivity		
DIMENSIONS: INCHES		CHK MS FEHER 9/30/88			
TOLERANCES UNLESS OTHERWISE SPECIFIED:		APVD K RANDOLPH 9/30/88	NAME		
0 PLC ± -		PRODUCT SPEC	RECEPTACLE ASSY, ULTRA-FAST, LOOSE PIECE, .250 SERIES, 22-18 AWG		
1 PLC ± -		108-2043	SIZE		
2 PLC ± -		APPLICATION SPEC	CAGE CODE		
3 PLC ± .015		114-2123	DRAWING NO		
4 PLC ± -		WEIGHT	RESTRICTED TO		
ANGLES ± -		-	A3 00779 C-520264		
MATERIAL SEE TABLE		FINISH SEE TABLE	SCALE 4:1		
		CUSTOMER DRAWING	SHEET 1 OF 1		
			REV N		